



(12) **United States Design Patent**
Kimura

(10) **Patent No.:** **US D595,472 S**
(45) **Date of Patent:** **** Jun. 30, 2009**

(54) **MACHINE TO PRY OPEN BUILDING DOOR**

2009/0057636 A1* 3/2009 Davis et al. 254/89 H

(75) Inventor: **Kiyoshi Kimura**, Ebina (JP)

(73) Assignee: **Kabushiki Kaisha Ogura** (JP)

(**) Term: **14 Years**

(21) Appl. No.: **29/310,064**

(22) Filed: **Jul. 24, 2008**

(30) **Foreign Application Priority Data**

Jan. 30, 2008 (JP) 2008-001824

(51) **LOC (9) Cl.** **12-05**

(52) **U.S. Cl.** **D34/31**

(58) **Field of Classification Search** D34/31,
D34/28, 35; 254/93 H, 93 R, 8 B

See application file for complete search history.

(56) **References Cited**

U.S. PATENT DOCUMENTS

2,412,414	A *	12/1946	Mueller	254/93 H
3,081,066	A *	3/1963	Murawski	254/93 R
4,174,095	A *	11/1979	Chipman	254/93 H
5,048,795	A *	9/1991	Vitale	254/93 R
D345,844	S *	4/1994	Steele	D34/31
D357,786	S *	4/1995	Nichols	D34/31
D362,530	S *	9/1995	Rosenkranz	D34/28
5,524,868	A *	6/1996	Decker et al.	254/93 H
D396,926	S *	8/1998	Underhill et al.	D34/31
7,082,662	B2 *	8/2006	Gauntt et al.	29/402.08
7,100,897	B2 *	9/2006	Ha	254/93 R
D537,604	S *	2/2007	Redman	D34/31
D569,574	S *	5/2008	Turner	D34/31
2008/0164449	A1 *	7/2008	Gray et al.	254/93 R
2008/0251676	A1 *	10/2008	Hernandez	248/354.6

OTHER PUBLICATIONS

Holmatro, "Toe-Jack"(TJ 3610), Holmatro Rescue Equipment Catalog, 3 pages (cover, 14, back), available before Jul. 22, 2008.

Hurst, "Model 362R273 JL-8 Jack Rabbit Tool" and "Model 362R266 Rabbit Forcible Entry Tool," Jaws of Life—2004/05 Hurst® Product Catalog, 4 pages (cover, 1, 2, and 26).

* cited by examiner

Primary Examiner—Cynthia E Ramirez

(74) *Attorney, Agent, or Firm*—Leydig, Voit & Mayer, Ltd.

(57) **CLAIM**

The ornamental design for a machine to pry open building door, as shown and described.

DESCRIPTION

FIG. 1 is a perspective view showing my new design;

FIG. 2 is a front elevational view thereof;

FIG. 3 is a rear elevational view thereof;

FIG. 4 is a top plan view thereof;

FIG. 5 is a bottom plan view thereof;

FIG. 6 is a right side elevational view thereof;

FIG. 7 is a left side elevational view thereof;

FIG. 8 is a cross-sectional view thereof taken through line A—A of FIG. 9;

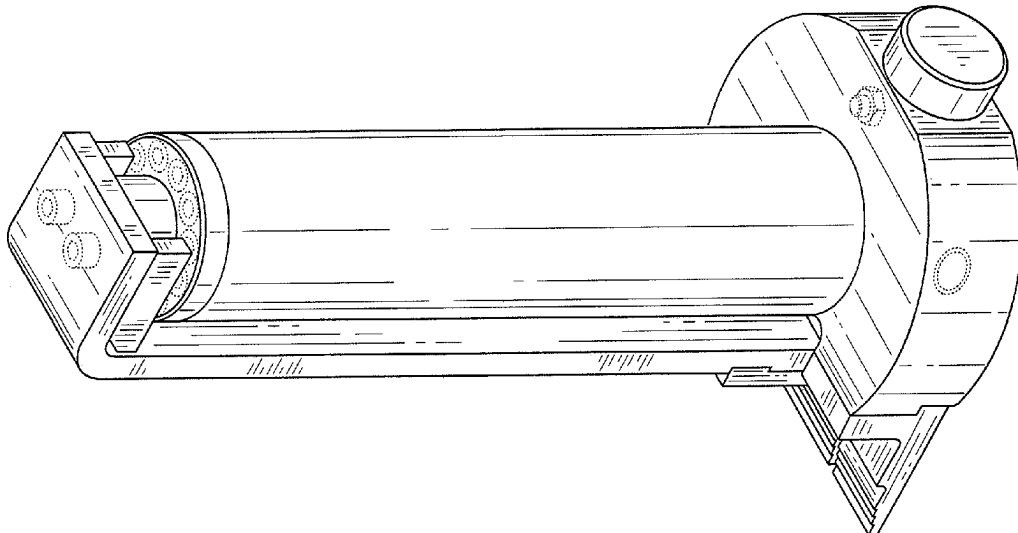
FIG. 9 is a front view showing the spreading parts opened;

FIG. 10 is a bottom plan view showing the spreading parts opened; and,

FIG. 11 is a reference view showing the hose connected and the spreading parts open.

The broken lines are for illustration purposes only and form no part of the claimed design.

1 Claim, 9 Drawing Sheets



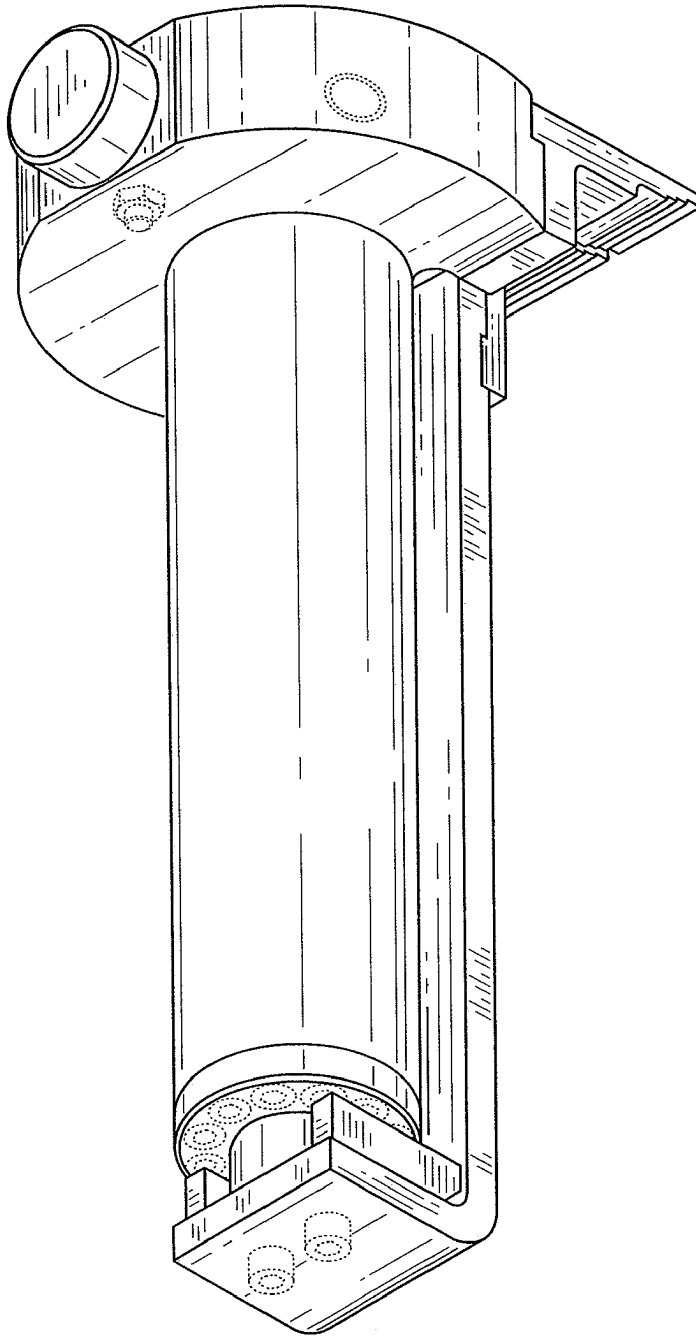


FIG. 1

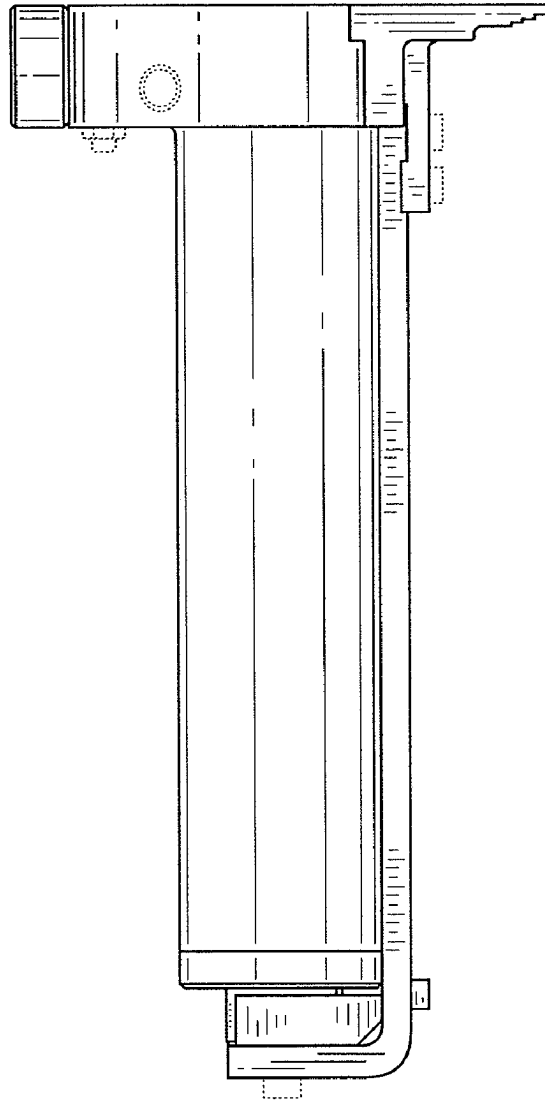


FIG. 2

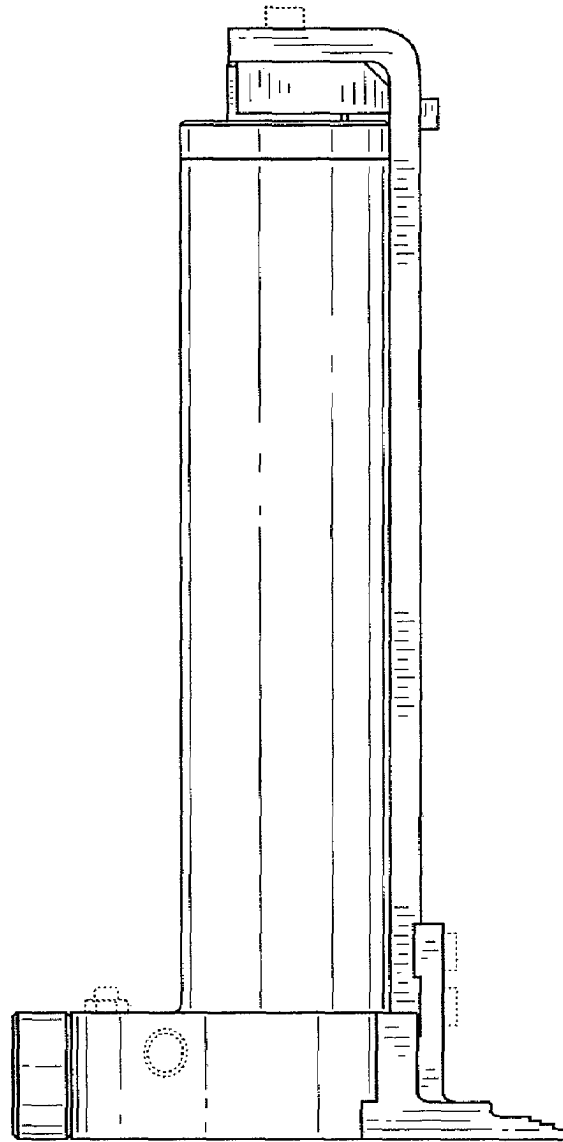


FIG. 3

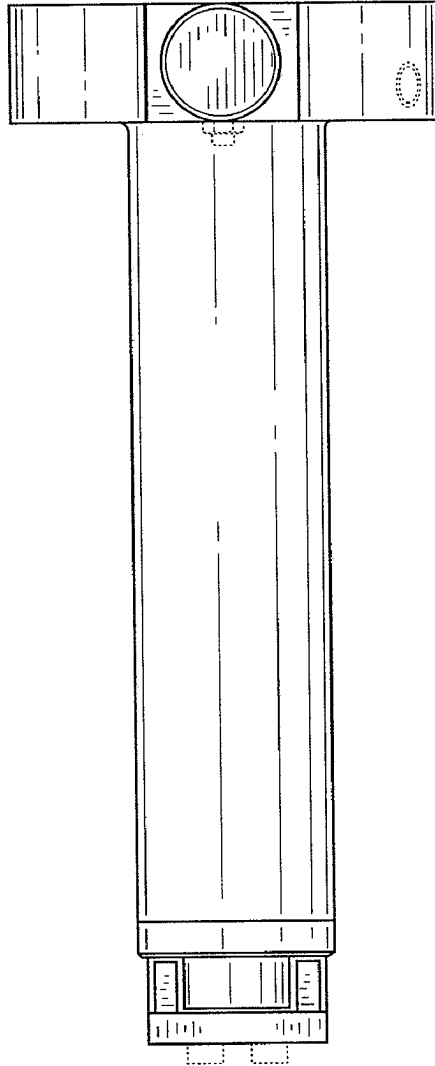


FIG. 4

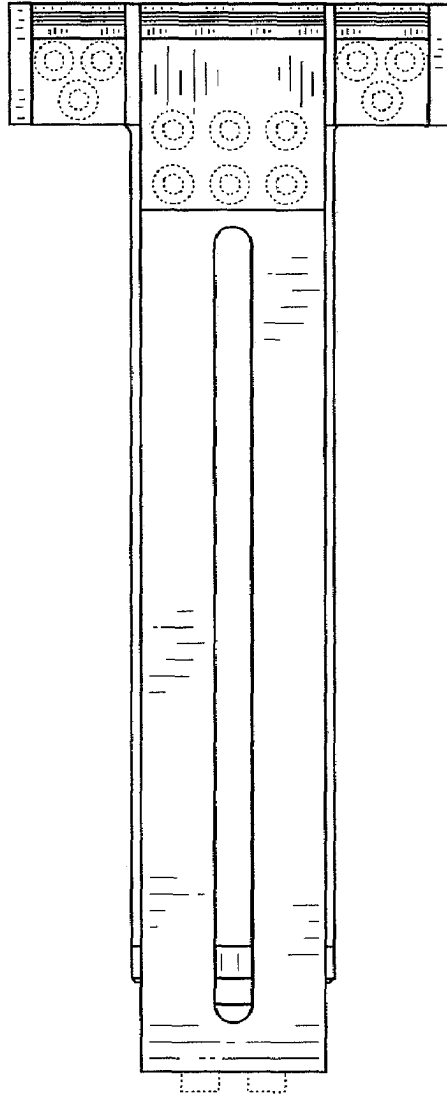


FIG. 5

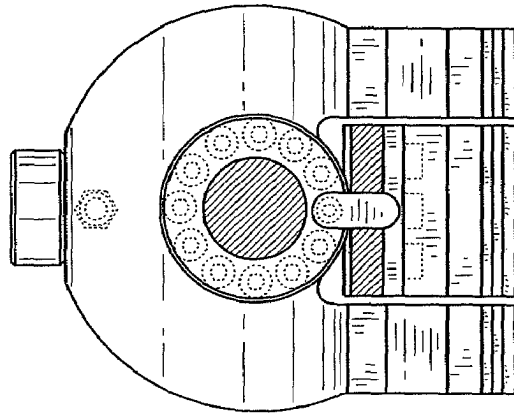


FIG. 8

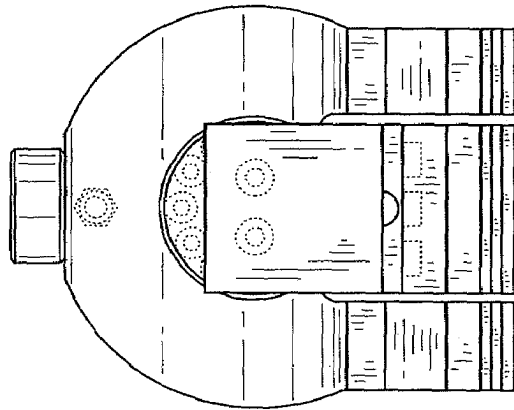


FIG. 7

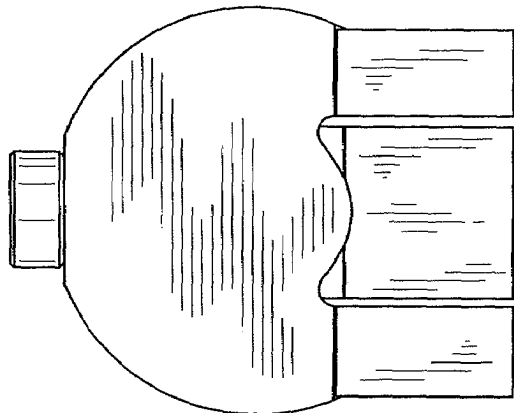


FIG. 6

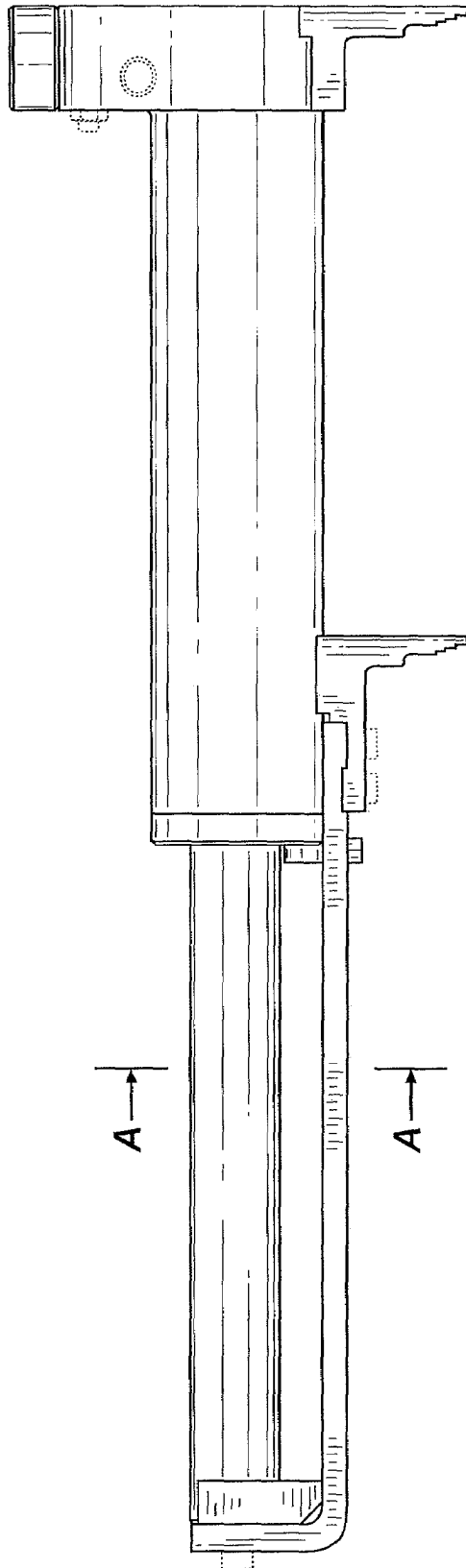


FIG. 9

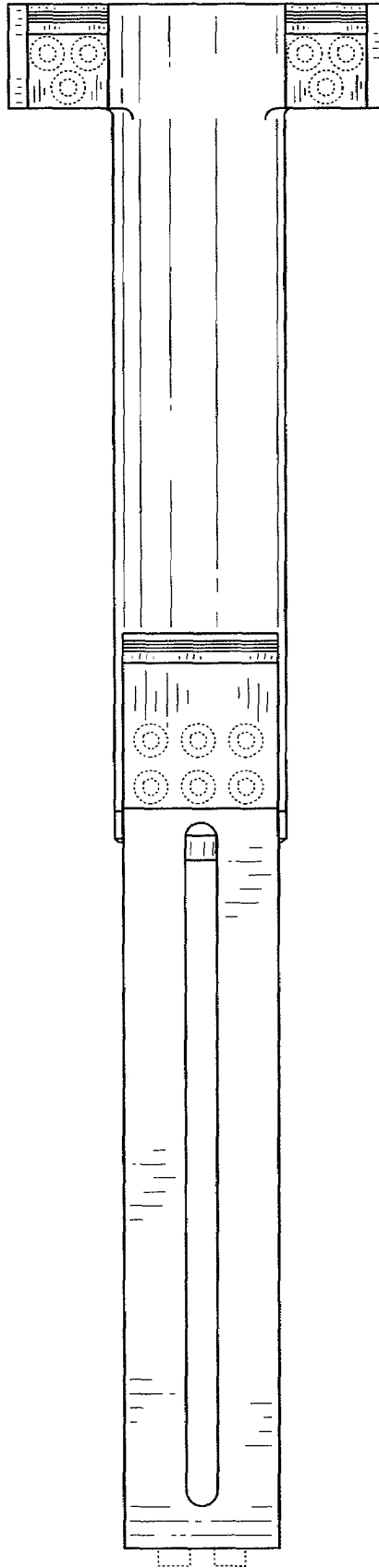


FIG. 10

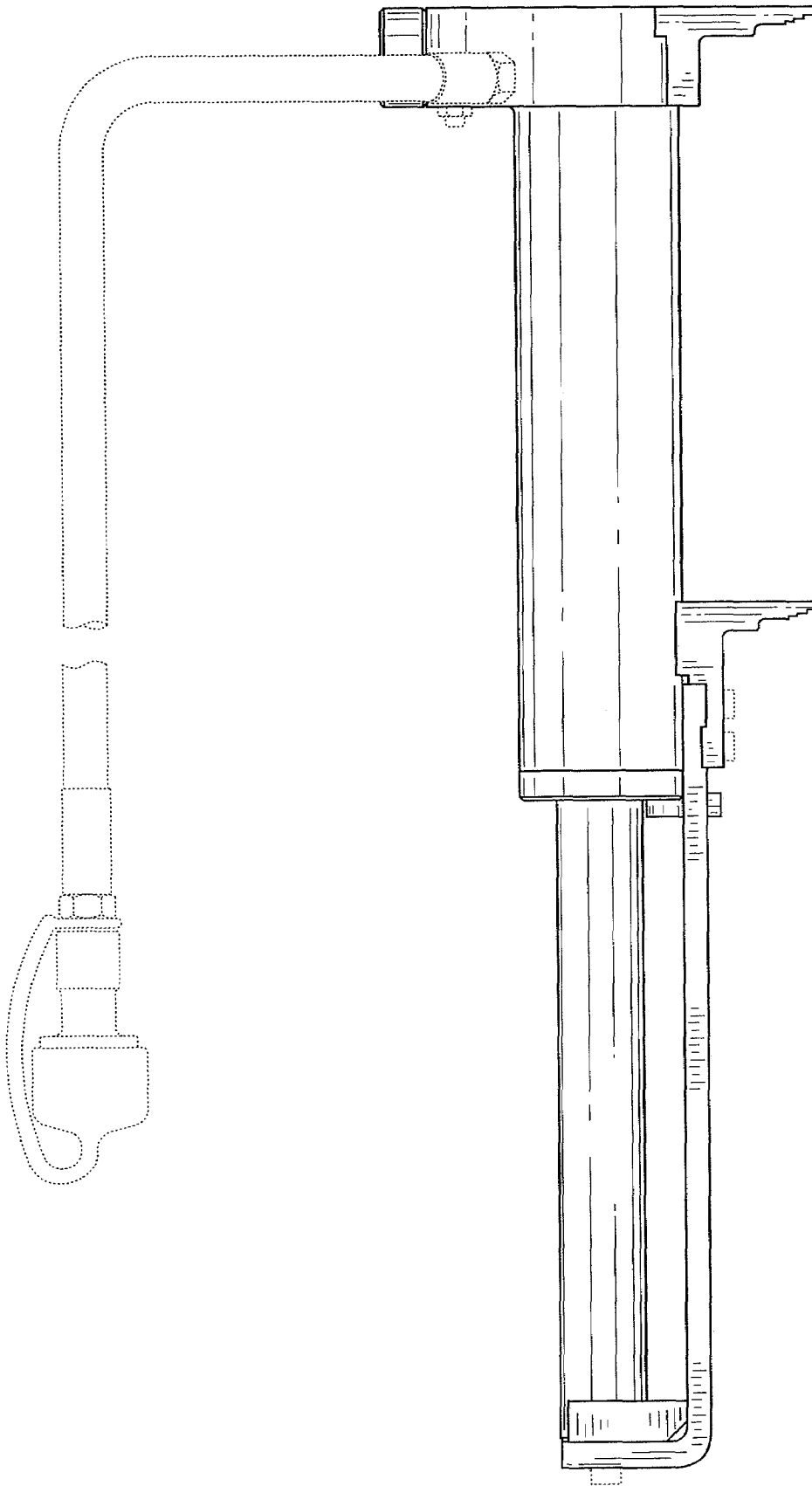


FIG. 11